


Type B8D Load Cell



Short description

- Stainless steel IP67 shear beam load cell (250kg is bending beam load cells)
- Suitable for floor scales, automobile test facilities, hopper scales and other weighing devices.
- Current calibrated (sc-option)



 test certificate no. TC8010 Revision 0 and D09-05.19
C of C no R60/2000-NL1-11.28 and R60/2000-CN1-06.05

 Certificate no. 12-022

Available models

| Capacity | Accuracy | Full article description |
|----------|----------|----------------------------|
| 250kg | C3/C4/C5 | B8D-C3/C4/C5-250kg-6B(-W6) |
| 500kg | C3/C4/C5 | B8D-C3/C4/C5-500kg-6B(-W6) |
| 1t | C3 | B8D-C3-1t-6B(-W6) |
| 2t | C3 | B8D-C3-2t-6B(-W6) |
| 5t | C3 | B8D-C3-5t-6B(-W6) |

Specifications and dimensions are subject to change without notice and do not constitute any liability whatsoever.

Type B8D Load Cell

Detailed specifications B8D

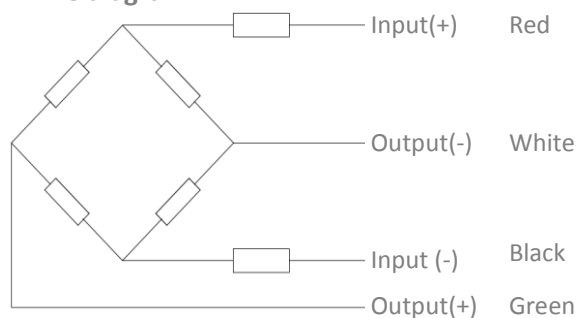
| | | | | | | |
|--|---|--------------------|----------------------|---------|----------------|-------------|
| Accuracy class | | OIML R60 C3 | | | OIML R60 C4 | OIML R60 C5 |
| Output sensitivity (= FS) | mV/V | 3.0 ± 0.008 | | | | |
| Maximum capacity (E _{max}) | t | 0.25 | 0.5, 1, 2 | 5 | 0.25, 0.5 | |
| Max.number of load cell intervals | n _{LC} | 3000 | | | 4000 | 5000 |
| Ratio of min. LC verification interval | Y = E _{max} / v _{min} | 10000 | 7500 | 9000 | 10000 | 10000 |
| Combined Error | %FS | ≤± 0.0230 | | | ≤± 0.0175 | ≤± 0.0140 |
| Minimum dead load | Of E _{max} | 0% | | | | |
| Safe overload | of E _{max} | 150 % | | | | |
| Ultimate overload | of E _{max} | 300 % | | | | |
| Zero balance | of FS | < ± 1.0 % | | | | |
| Excitation, recommended voltage | V | 5 ~ 12 | | | | |
| Excitation maximum | V | 18 | | | | |
| Input resistance | Ω | 350 ± 3.5 | | | | |
| Output resistance | Ω | 350 ± 3.5 | | | | |
| Insulation resistance | MΩ | ≥5000 (at 50VDC) | | | | |
| Compensated temperature | °C | -10 ~ +40 | | | | |
| Operating temperature | °C | -35 ~ +65 | | | | |
| Storage temperature | °C | -40 ~ +80 | | | | |
| Element material | | Stainless steel | | | | |
| Ingress Protection (acc. to EN 60529) | | IP67 | | | | |
| Recommended torque on fixation | Nm | M12: 75 | | M20:450 | | |
| ATEX classification (optional) | | II1G Ex ia II1C T4 | II1D Ex iaD 20 T73°C | | II3G nL IIC T4 | |

Wiring

Wiring:

Shielded, 4 conductor cable
 Cable diameter: Ø5mm.
 Standard cable length: 6m
 Shield not connected to element.

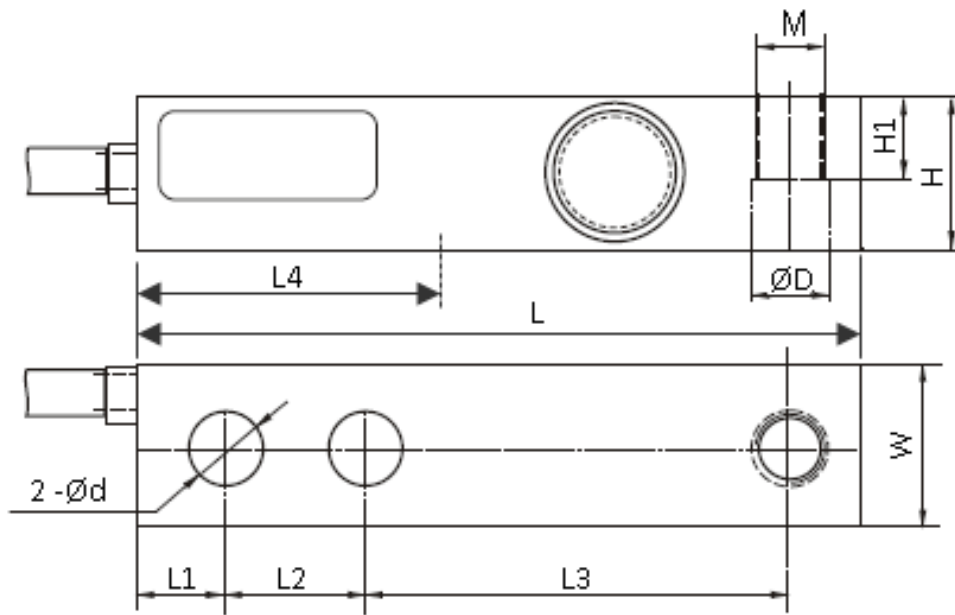
4-wire diagram



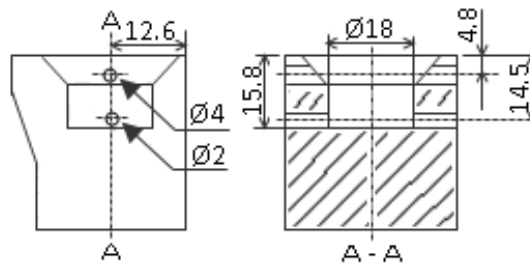
Specifications and dimensions are subject to change without notice and do not constitute any liability whatsoever.

Type B8D Load Cell

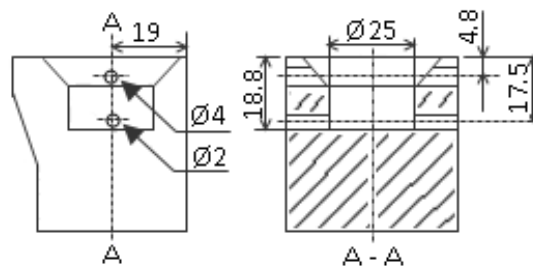
Dimensions in mm



Option W6 version ("T" end loading hole) 250kg-2t



Option W6 version ("T" end loading hole) 5t

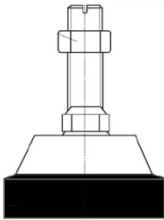
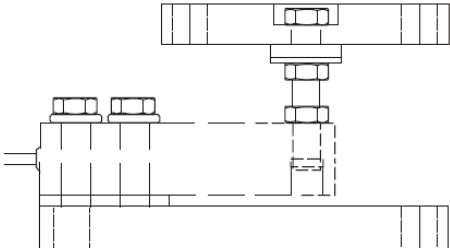
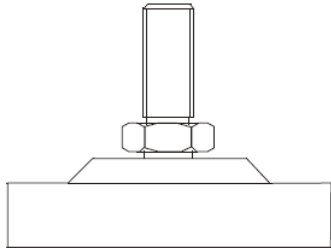
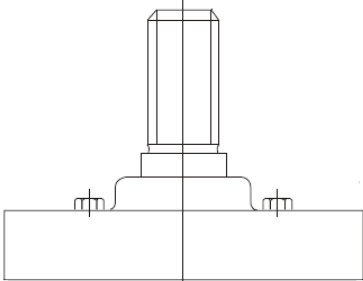
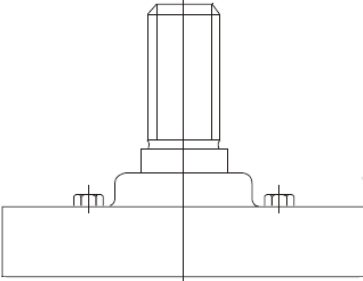
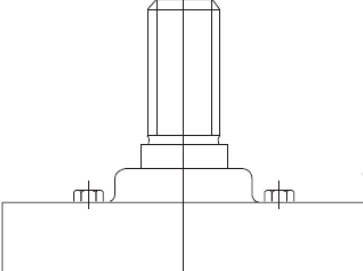


| Dimension Capacity | L | L1 | L2 | L3 | d | H | W | D | H1 | L4 | M |
|--------------------|-----|------|------|------|-------|-------|-------|-------|-------|-------|-----|
| 0.25t | 130 | 15.7 | 25.4 | 76.2 | 13.46 | 30.2 | 30.7 | 13.4 | 14.23 | 57.15 | M12 |
| 0.5t-2t | 130 | 15.7 | 25.4 | 76.2 | 13.4 | 31.32 | 31.32 | 13.4 | 15.57 | 54 | M12 |
| 5t | 171 | 19 | 38.1 | 95.2 | 20.65 | 36.8 | 36.8 | 20.65 | 17.78 | 76 | M20 |

Specifications and dimensions are subject to change without notice and do not constitute any liability whatsoever.

Type B8D Load Cell

Available accessories

| | |
|---|--|
| <p>BJ-8-202-0.5-5t foot</p> <ul style="list-style-type: none"> • Ø60-80 and height 92-105 mm • Stainless Steel • Adjustable height |  |
| <p>BM-8-404-0.5-5t mount</p> <ul style="list-style-type: none"> • Hardened stainless steel components • Compact construction • Using under heavy static load or slight dynamic load • Good ability against corrosive environments |  |
| <p>BJ-8-215-0.5-2t foot</p> <ul style="list-style-type: none"> • Ø81 and height 48 mm • Easy installation • Adjustable height • Automatically centralized inside • Good ability of anti-side loading • Mainly used for platform scales, floor scales and other electronic weighing devices |  |
| <p>BJ-8-219-0.5-2t foot</p> <ul style="list-style-type: none"> • Ø80 and height 61 mm • Stainless steel • Easy installation • Automatically centralized inside • Good ability of anti-side loading • Mainly used for platform scales, floor scales and other electronic weighing devices |  |
| <p>BJ-8-220-0.5-2t foot</p> <ul style="list-style-type: none"> • Ø80 and height 56.5 mm • Stainless steel • Easy installation • Automatically centralized inside • Good ability of anti-side loading • Mainly used for platform scales, floor scales and other electronic weighing devices |  |
| <p>BJ-8-222-0.5-2t foot</p> <ul style="list-style-type: none"> • Ø80 and height 51 mm • Stainless steel • Easy installation • Automatically centralized inside • Good ability of anti-side loading • Mainly used for platform scales, floor scales and other electronic weighing devices |  |

Specifications and dimensions are subject to change without notice and do not constitute any liability whatsoever.