

## Short Description



- Low profile, planar beam construction load cell (IP65)
- Anodized aluminum alloy
- Suitable for compact scales, bench scales, floor scales, patient beds, counting scales, etc.
- Simple installation and torque-free force application thanks to wing-like mounting arms



Test certificate no. TC8407 Revision 0  
C of C no R60/2000-NL1-13.22 Rev. 1

## Available Models

| Capacity | Accuracy                | Full Article Description |
|----------|-------------------------|--------------------------|
| 22kg     | C3                      | L6P-C3-22kg-1.5P-R1S     |
| 45kg     | C3                      | L6P-C3-45kg-1.5P-R1S     |
| 75kg     | C3                      | L6P-C3-75kg-1.5P-R1S     |
| 90kg     | C3                      | L6P-C3-90kg-1.5P-R1S     |
| 110kg    | C3                      | L6P-C3-110kg-1.5P-R1S    |
| 150kg    | C3 (Excluded from OIML) | L6P-C3-150kg-1.5P-R1S    |

Specifications and dimensions are subject to change without notice and do not constitute any liability whatsoever.



## Technical Specifications L6P

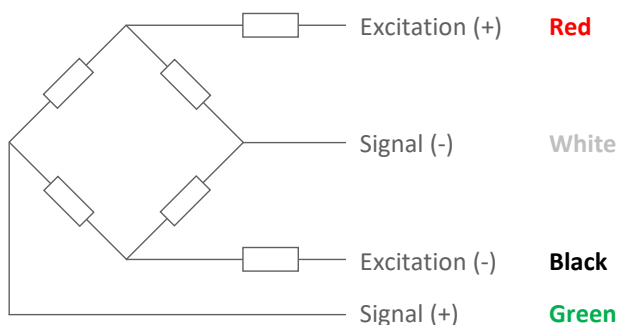
|   |                         |                     |            |
|---|-------------------------|---------------------|------------|
| Accuracy Class                          |                         | OIML R60 C3         | C3         |
| Output Sensitivity ( = FS )             | mV/V                    | 1.0 ± 0.1           | 1.0 ± 0.02 |
| Maximum Capacity ( E <sub>max</sub> )   | kg                      | 22, 45, 75, 90, 110 | 150        |
| Max. Number of Load Cell Intervals      | n <sub>LC</sub>         | 3000                |            |
| Ratio of min. LC Verification Interval  | $Y = E_{max} / V_{min}$ | 10000               |            |
| Combined Error                          | %FS                     | ≤± 0.023            |            |
| Creep Error (30 minutes)                | %FS                     | ≤± 0.017            |            |
| Temperature Effect on Zero (ZTC)        | %FS/10°C                | ≤± 0.019            |            |
| Temperature Effect on Sensitivity (STC) | %FS/10°C                | ≤± 0.020            |            |
| Zero Balance                            | %FS                     | ≤± 5.0              |            |
| Safe Overload                           | %FS                     | 150                 | 120        |
| Ultimate Overload                       | %FS                     | 300                 | 250        |
| Excitation, Recommended Voltage         | V                       | 5 ~ 12              |            |
| Excitation, Maximum Voltage             | V                       | 18                  |            |
| Input Resistance                        | Ω                       | 1065 ± 15           | 1080 ± 50  |
| Output Resistance                       | Ω                       | 1000 ± 10           |            |
| Insulation Resistance (50V)             | MΩ                      | ≥5000               |            |
| Compensated Temperature                 | °C                      | -10 ~ + 40          |            |
| Operating Temperature                   | °C                      | -35 ~ + 65          |            |
| Storage Temperature                     | °C                      | -35 ~ + 65          |            |
| Load Cell Weight                        | kg                      | ~0.04 - ~0.07       |            |
| Element Material                        |                         | Aluminium           |            |
| Ingress Protection (acc. to EN 60529)   |                         | IP65                |            |
| Recommended Torque on Fixation Bolts    | Nm                      | M4: 3               |            |

## Wiring

### Features:

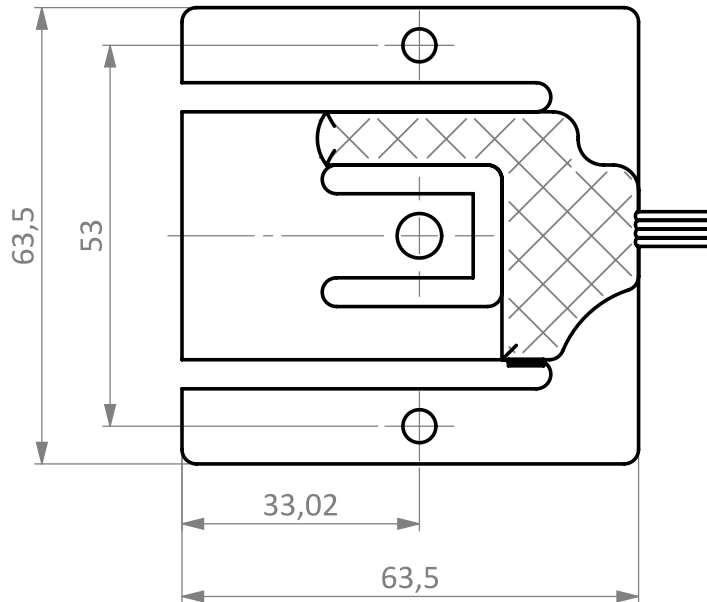
Cable type: 4 conductor flat ribbon cable , conductor AWG 26  
 Cable diameter: Ø 1.2mm per conductor  
 Cable length: 1.5m ± 0.1m  
 Cable jacket: N/A

### 4-Wire Connection Diagram

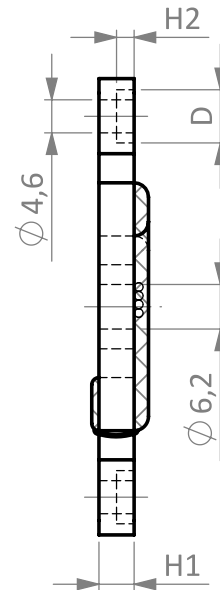


## Dimensions in mm

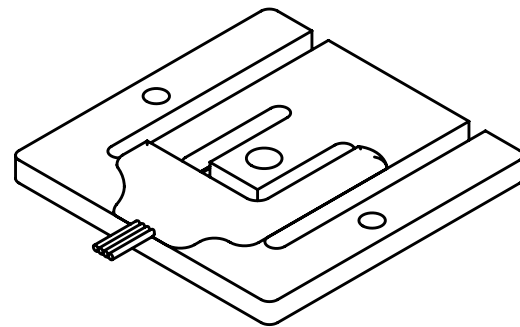
Top View



Side View



Isometric View



| Dimension<br>Capacity | $\phi D$ | H2  | H1   |
|-----------------------|----------|-----|------|
| 22kg                  | 4.6      | --  | 3.31 |
| 45kg                  | 4.6      | --  | 4.89 |
| 75kg                  | 4.6      | --  | 6.16 |
| 90kg                  | 4.6      | --  | 6.75 |
| 110kg                 | 7.4      | 3.2 | 7.58 |
| 150kg                 | 7.4      | 3.2 | 8.71 |